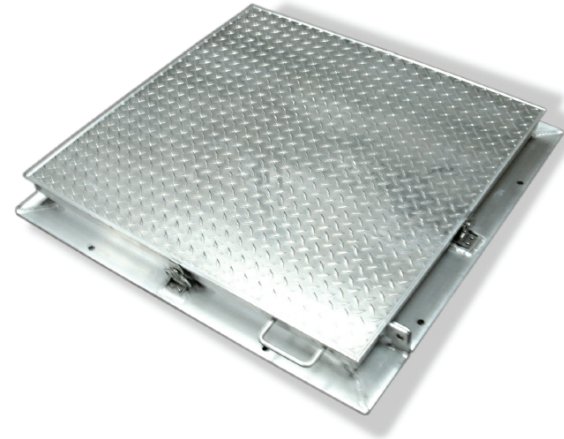


SUBMITTAL/TECHNICAL DATA SHEET



SKU: **CAD-A-FPS**
FLOOR DOOR
 FLOODTIGHT



APPLICATION

Designed for interior and exterior floodtight applications where water may rise above the surface opening

FEATURES

- Angle frame construction with 4" high horizontal leg to allow for bolting to concrete
- Diamond plate door panel is reinforced for a live load of 625 pounds/sq ft. (capable of holding up to 10 ft. head of water)
- Door panel overlaps frame, compressing the gasket providing a floodtight fit
- U shaped neoprene gasket and stainless steel pressure lock system ensure the door will not leak

SPECIFICATIONS

MATERIAL: Aluminum door & frame ; Type 316 Stainless steel hinges & hardware

DOOR: 1/4" aluminum diamond plate reinforced for live load of 625 pounds/per sq. ft. (capable of holding up to 10 ft. head of water)

HINGE: Type 316 stainless steel butt hinges with tamper proof stainless steel bolts and nuts

GASKET: 3/8" neoprene gasket

OPENING DEVICE: Automatic hold open arm with red vinyl grip allows door to open to 90 degrees, locking door in open position and allowing for easy control when closing door panel. Stainless steel compression springs provide lift assistance.

Available with electrical actuators, operated by wall mounted push button switch, and remote control

STANDARD LATCH: Type 316 stainless steel pressurelock system and exterior staple for padlock

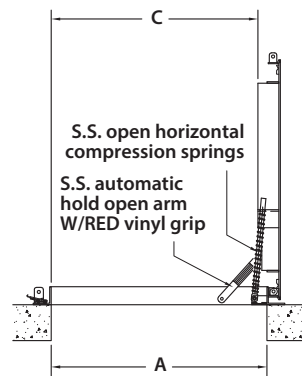
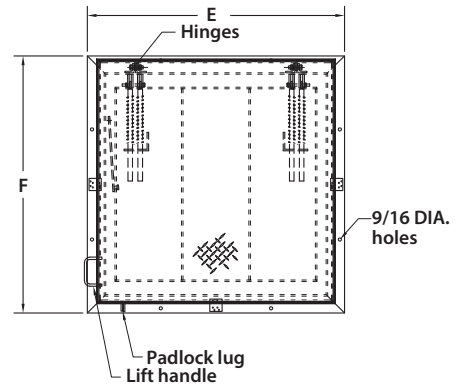
FINISH: Mill finish

DIMENSIONS AND APPEARANCE

>> CLICK TO VIEW ADDITIONAL DETAILS AND PRICING <<

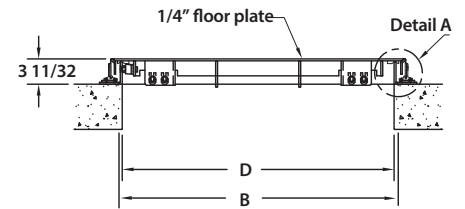
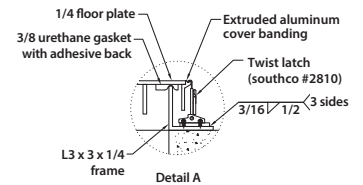
STANDARD SIZES:

DOOR SIZE W x H INCHES (MM)	WEIGHT	
	LBS	KG
24 x 24 (610 x 610)	65	29
30 x 30 (762 x 762)	85	39
30 x 48 (762 x 1219)	110	50
36 x 36 (914 x 914)	105	48
36 x 48 (914 x 1219)	120	54



NOTES:

- MATERIAL: ALUMINUM
- LOADING: 625 LBS. PER SQ. FT.
- 316 STAINLESS STEEL BOLTS & NUTS
- AREA OF FRAME IN CONTACT WITH CONCRETE TO BE PAINTED WITH BITUMINOUS COATING



For detailed specifications see submittal sheet

For a complete list of options visit www.CaliforniaAccessDoors.com

PROJECT DATA

Custom Sizes Available - Fast!

Scan or Click



To view Pricing and Additional Product Info.

PROJECT NAME :	QTY	W	H	OPTIONS
ARCHITECT :				
DEALER :				
CONTRACTOR :				
LOCATION :	SPECIAL INSTRUCTIONS :			
DATE :				
TAGGING INSTRUCTIONS :	SUBMITTAL APPROVAL : (signature or stamp)			

TELEPHONE:
1-800-656-1095
FAX:
1-888-828-6021

PO BOX 7775 PMB
76520, SAN FRANCISCO,
CALIFORNIA 94120-7775
US



WEBSITE:
www.CaliforniaAccessDoors.com

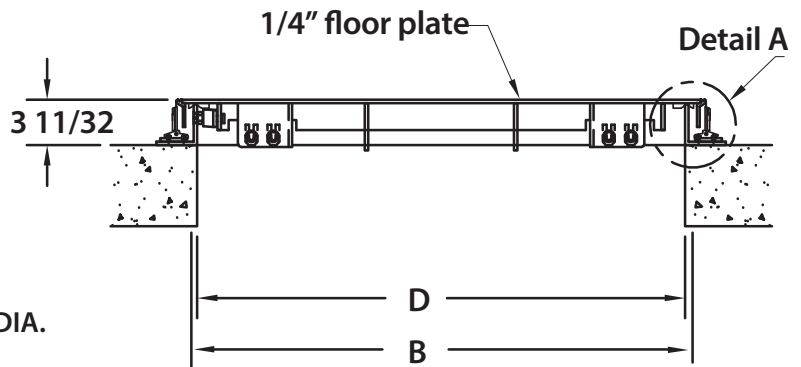
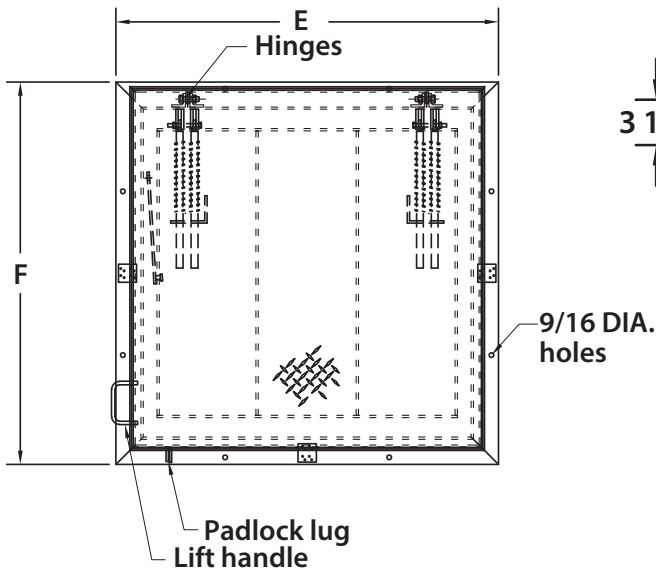
E-MAIL:
info@CaliforniaAccessDoors.com



CAD-A-FPS

ANGLE FRAME FLOOR DOOR RAISED FRAME - FLOODTIGHT

NOMINAL DOOR SIZE in. (mm)	FRAME OPENING		CLEAR OPENING		OVERALL SIZE		WEIGHT LBS. (KG)
	A in. (mm)	B in. (mm)	C in. (mm)	D in. (mm)	E in. (mm)	F in. (mm)	
24 x 24 (610 x 610)	24 (610)	24 (610)	24 (610)	23 (584)	30 (762)	30 (762)	65 (29)
30 x 30 (762 x 762)	30 (762)	30 (762)	30 (762)	29 (737)	36 (914)	36 (914)	85 (39)
30 x 48 (762 x 1219)	30 (762)	48 (1219)	48 (1219)	47 (1194)	36 (914)	54 (1372)	110 (50)
36 x 36 (914 x 914)	36 (914)	36 (914)	36 (914)	35 (889)	42 (1067)	42 (1067)	105 (48)
36 x 48 (914 x 1219)	36 (914)	48 (1219)	48 (1219)	47 (1194)	42 (1067)	54 (1372)	120 (54)



NOTES:

- MATERIAL: ALUMINUM
- LOADING: 625 LBS. PER SQ. FT.
- 316 STAINLESS STEEL BOLTS & NUTS
- AREA OF FRAME IN CONTACT WITH CONCRETE TO BE PAINTED WITH BITUMINOUS COATING

