

SUBMITTAL/TECHNICAL DATA SHEET



APPLICATION

- Designed for Anti-Ligature Installation
- Designed to provide a fully gasketed fit in all types of walls and ceilings
- This door is commonly used in prisons, correctional facilities, psychiatric Hospitals, etc.

FEATURES

- Fully gasketed access door
- Formed door panel with reinforced edges and a concealed hinge, Fully welded frame flange, radiused corners along with closed cell gasket between the door and frame
- Fully welded frame flange, radiused corners

SPECIFICATIONS

DOOR / DOOR FRAME: Stainless Steel or Steel: 14 gauge door, 14 gauge mounting frame, flange to be 1" wide

HINGE: Concealed

GASKET: Pemko S88 adhesive-backed bulb silicone gasket

STANDARD LATCH: Tamper-proof spanner head cam latch

OPTIONAL LATCHES/LOCKS: Torx head, Cylinder Lock, Mortise Lock

FINISH: Stainless steel: #4 satin polish. Steel: 5 stage iron phosphate with prime coat of White alkyd baked-on enamel

For a complete list of options visit www.CaliforniaAccessDoors.com

SKU: **CAD-AL-9500**

SPECIALTY DOOR

ANTI LIGATURE ACCESS DOOR



DIMENSIONS AND APPEARANCE

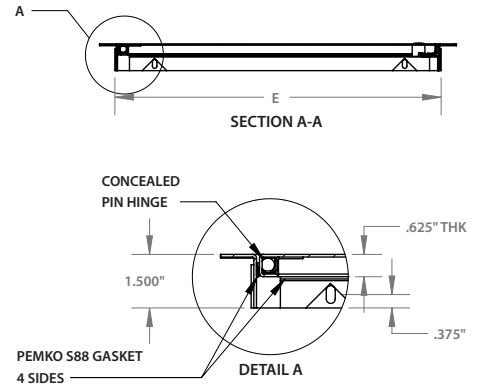
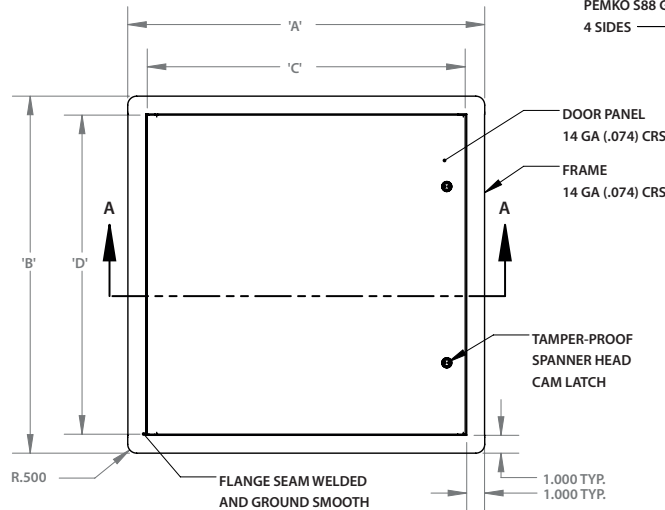
>> CLICK TO VIEW ADDITIONAL DETAILS AND PRICING <<

STANDARD SIZES:

DOOR SIZE W x H INCHES (MM)	WEIGHT	
	LBS	KG
12 x 12 (610 x 610)	84	38
16 x 16 (610 x 762)	101	46
18 x 18 (610 x 610)	117	53
24 x 24 (762 x 762)	125	57
24 x 36 (762 x 914)	136	62

Wall or ceiling opening is nominal door size + 3/8" (9 mm)

For detailed specifications see submittal sheet



PROJECT DATA

Custom Sizes Available - Fast!

PROJECT NAME :	QTY	W	H	OPTIONS
ARCHITECT :				
DEALER :				
CONTRACTOR :				
LOCATION :	SPECIAL INSTRUCTIONS :			
DATE :				
TAGGING INSTRUCTIONS :	SUBMITTAL APPROVAL : (signature or stamp)			

Scan or Click



To view Pricing and Additional Product Info.

TELEPHONE:
1-800-656-1095
FAX:
1-888-828-6021



PO BOX 7775 PMB
76520, SAN FRANCISCO,
CALIFORNIA 94120-7775
US



WEBSITE:
www.CaliforniaAccessDoors.com
E-MAIL:
info@CaliforniaAccessDoors.com



SUBMITTAL



TELEPHONE:
1-800-656-1095
FAX:
1-888-828-6021



PO BOX 7775 PMB
76520, SAN FRANCISCO,
CALIFORNIA 94120-7775
US



WEBSITE:
www.CaliforniaAccessDoors.com
E-MAIL:
info@CaliforniaAccessDoors.com

CAD-AL-9500

ANTI-LIGATURE ACCESS DOOR

NOMINAL DOOR SIZE	A	B	C	D	E	F	WEIGHT
12 X 12 (305 X 305)	14.000 (355)	14.000 (355)	11.812 (300)	11.876 (301)	12.279 (312)	12.148 (309)	1
16 X 16 (406 X 406)	18.000 (457)	18.000 (457)	15.812 (401)	15.876 (403)	16.279 (413)	16.148 (410)	2
18 X 18 (457 X 457)	20.000 (508)	20.000 (508)	17.812 (452)	17.876 (454)	18.279 (464)	18.148 (461)	2
24 X 24 (609 X 608)	26.000 (660)	26.000 (660)	23.812 (604)	23.876 (606)	24.279 (617)	24.148 (613)	2
24 X 36 (609 X 914)	26.000 (660)	38.000 (965)	23.812 (604)	37.876 (911)	24.279 (617)	36.148 (918)	2

