

SUBMITTAL/TECHNICAL DATA SHEET



APPLICATION

Economical access to fiberglass ducts

FEATURES

- These doors are for use in low to medium pressure fiberglass ducts
- Double cam - no hinge, removable door panel

OPTIONS

Aluminum, stainless steel

SPECIFICATIONS

MATERIAL: Galvanized steel

DOOR: 24 gauge

MOUNTING FRAME: 24 gauge

GASKETING: 1/8" thick by 1/2" wide closed cell neoprene gasketing between door and frame. 1/16" thick by 1 1/2" adhesive bonded gasket between frame to duct

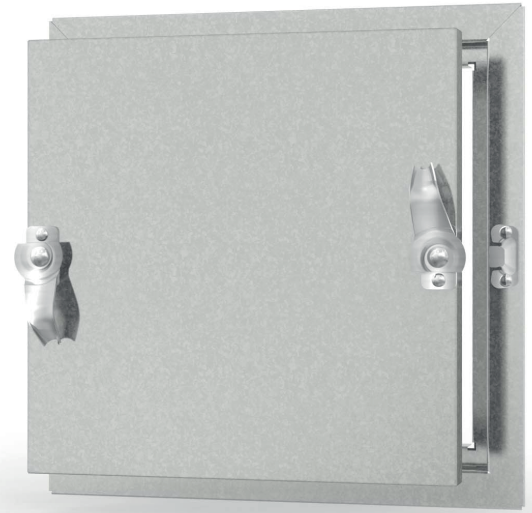
INSULATION: 2" of Fiberglass Insulation Compressed to 1" 7.7R Value

LATCH: Self tightening, hand operated cam latch

SKU: **CAD-CD-5080-F**

DUCT DOOR

FOR FIBERGLASS DUCTS



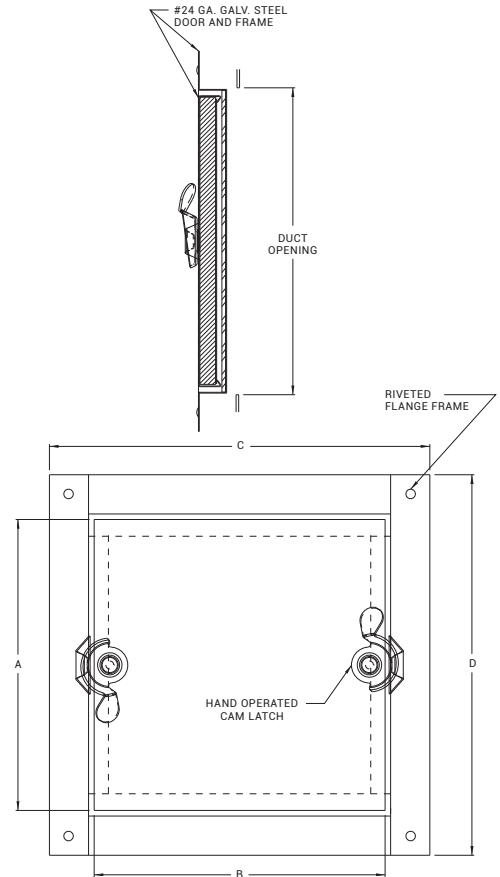
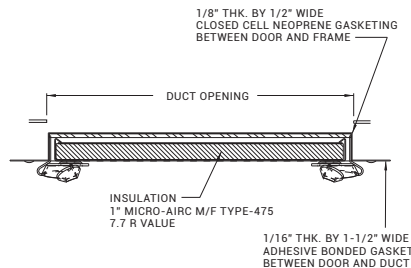
DIMENSIONS AND APPEARANCE

>> CLICK TO VIEW ADDITIONAL DETAILS AND PRICING <<

STANDARD SIZES:

DOOR SIZE W x H INCHES (MM)	LATCHES	WEIGHT	
		LBS	KG
6 x 6 (152 x 152)	2	1.00	0.5
8 x 8 (203 x 203)	2	1.25	0.6
10 x 10 (254 x 254)	2	2.00	0.9
12 x 12 (304 x 304)	2	2.50	1.1
14 x 14 (356 x 356)	4	3.25	1.5
16 x 16 (406 x 406)	4	4.00	1.8
18 x 18 (457 x 457)	4	5.50	2.5
24 x 24 (610 x 610)	4	9.00	4.1

Duct opening is normal door size-1 1/4" or (31 mm)
For detailed specifications see submittal sheet



For a complete list of options visit www.CaliforniaAccessDoors.com

PROJECT DATA

Custom Sizes Available - Fast!

Scan or Click



To view Pricing and Additional Product Info.

PROJECT NAME :	QTY	W	H	OPTIONS
ARCHITECT :				
DEALER :				
CONTRACTOR :				
LOCATION :	SPECIAL INSTRUCTIONS :			
DATE :				
TAGGING INSTRUCTIONS :	SUBMITTAL APPROVAL : (signature or stamp)			

TELEPHONE:
1-800-656-1095

FAX:
1-888-828-6021



PO BOX 7775 PMB
76520, SAN FRANCISCO,
CALIFORNIA 94120-7775
US



WEBSITE:
www.CaliforniaAccessDoors.com

E-MAIL:
info@CaliforniaAccessDoors.com



CAD-CD-5080-F

DUCT DOOR - NO HINGE FOR SHEET METAL DUCT

NOMINAL DOOR SIZE	A	B	C	D	DUCT OPENING	LATCH
6 x 6 (152 x 152)	5.375 (137)	5.375 (137)	5.875 (225)	5.875 (225)	6 x 6 (152 x 152)	2
8 x 8 (203 x 203)	7.375 (187)	7.375 (187)	10.875 (276)	10.875 (276)	8 x 8 (203 x 203)	2
10 x 10 (254 x 254)	9.375 (238)	9.375 (238)	12.875 (327)	12.875 (327)	10 x 10 (254 x 254)	2
12 x 12 (304 x 304)	11.375 (289)	11.375 (289)	14.875 (378)	14.875 (378)	12 x 12 (304 x 304)	2
14 x 14 (356 x 356)	13.375 (340)	13.375 (340)	16.875 (429)	16.875 (429)	14 x 14 (356 x 356)	4
16 x 16 (406 x 406)	15.375 (391)	15.375 (391)	18.875 (479)	18.875 (479)	16 x 16 (406 x 406)	4
18 x 18 (457 x 457)	17.375 (441)	17.375 (441)	20.875 (530)	20.875 (530)	18 x 18 (457 x 457)	4

