

SUBMITTAL/TECHNICAL DATA SHEET



APPLICATION

- Installation in Drywall, Plaster, Masonry, Tile or any flush surface
- Economical and attractive access door for walls & ceilings

FEATURES

- Formed door panel
- Concealed hinge

SPECIFICATIONS

MATERIAL: 18 gauge steel door and frame

DOOR: Flush to frame with reinforced edges

MOUNTING FRAME: 1" wide outside flange with 1 7/16" deep mounting

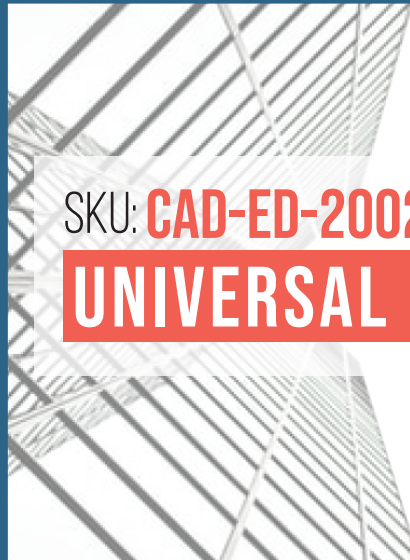
FRAME: Knock over mounting tabs provided on 6x6, 8x8, 10x10 and 12x12

HINGE: Concealed Hinge Pin

LATCH: Stainless steel slot screw-driver operated cam latch

OPTIONAL LATCHES/LOCKS: Cylinder lock and key

FINISH: 5 Stage iron phosphate preparation with prime coat of White alkyd baking enamel



SKU: **CAD-ED-2002**

UNIVERSAL FLUSH



DIMENSIONS AND APPEARANCE

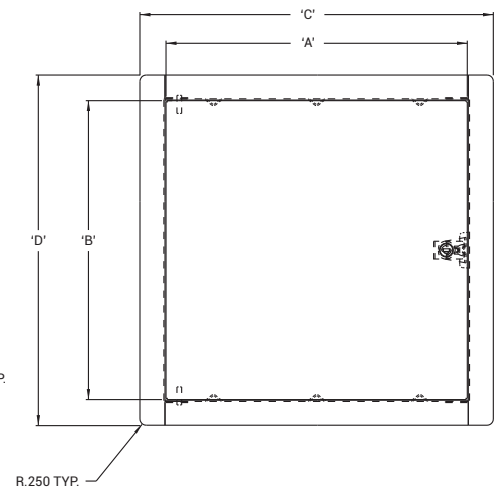
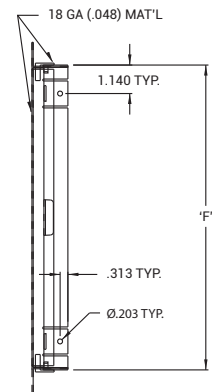
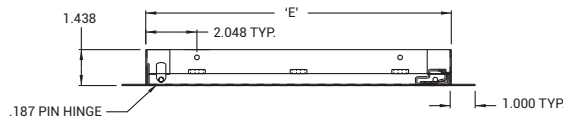
>> CLICK TO VIEW ADDITIONAL DETAILS AND PRICING <<

STANDARD SIZES:

DOOR SIZE W x H INCHES (MM)	LATCHES	WEIGHT	
		LBS	KG
6 x 6 (152 x 152)	1	1.7	0.5
8 x 8 (203 x 203)	1	2.5	0.6
10 x 10 (254 x 254)	1	3.5	0.9
12 x 12 (304 x 304)	1	4.6	1.1
14 x 14 (356 x 356)	1	5.8	1.5
16 x 16 (406 x 406)	1	7.2	1.8
18 x 18 (457 x 457)	1	8.8	2.5
20 x 20 (508 x 508)	1	10.4	4.1
24 x 24 (610 x 610)	1	14.2	4.1
24 x 36 (610 x 914)	2	17.0	4.1

Wall opening is W + 3/8" (9 mm)

For detailed specifications see submittal sheet



For a complete list of options visit www.CaliforniaAccessDoors.com

PROJECT DATA

Custom Sizes Available - Fast!

PROJECT NAME :	QTY	W	H	OPTIONS
ARCHITECT :				
DEALER :				
CONTRACTOR :				
LOCATION :	SPECIAL INSTRUCTIONS :			
DATE :				
TAGGING INSTRUCTIONS :	SUBMITTAL APPROVAL : (signature or stamp)			

Scan or Click



To view Pricing and Additional Product Info.

TELEPHONE:
1-800-656-1095
FAX:
1-888-828-6021



PO BOX 7775 PMB
76520, SAN FRANCISCO,
CALIFORNIA 94120-7775
US



WEBSITE:
www.CaliforniaAccessDoors.com
E-MAIL:
info@CaliforniaAccessDoors.com



SUBMITTAL



TELEPHONE:
1-800-656-1095
FAX:
1-888-828-6021



PO BOX 7775 PMB
76520, SAN FRANCISCO,
CALIFORNIA 94120-7775
US



WEBSITE:
www.CaliforniaAccessDoors.com
E-MAIL:
info@CaliforniaAccessDoors.com

CAD-ED-2002

FLUSH ACCESS DOOR

NOMINAL DOOR SIZE	A	B	C	D	E	F	LOCK
6 x 6 (152 x 152)	6.04 (153)	5.95 (151)	8.125 (206)	8.00 (203)	6.22 (158)	6.19 (157)	1
8 x 8 (203 x 203)	8.04 (204)	7.95 (202)	10.125 (257)	10.00 (254)	8.22 (209)	8.19 (208)	1
10 x 10 (254 x 254)	10.04 (255)	9.95 (253)	12.125 (308)	12.00 (305)	10.22 (260)	10.19 (259)	1
12 x 12 (304 x 304)	12.04 (306)	11.95 (304)	14.125 (359)	14.00 (356)	12.22 (310)	12.19 (310)	1
14 x 14 (356 x 356)	14.04 (357)	13.95 (354)	16.125 (410)	16.00 (406)	14.22 (361)	14.19 (360)	1
16 x 16 (406 x 406)	16.04 (408)	15.95 (405)	18.125 (460)	18.00 (457)	16.22 (412)	16.19 (411)	1
18 x 18 (457 x 457)	18.04 (458)	17.95 (456)	20.125 (511)	20.00 (508)	18.22 (463)	18.19 (462)	1
20 x 20 (508 x 508)	20.04 (509)	19.95 (507)	22.125 (562)	22.00 (559)	20.22 (514)	20.19 (513)	1
24 x 24 (610 x 610)	24.04 (611)	23.95 (608)	26.125 (663)	26.00 (660)	24.22 (615)	24.19 (614)	1
* 24 x 36 (610 x 914)	24.04 (611)	35.95 (913)	26.125 (663)	38.00 (965)	24.25 (616)	36.25 (921)	2

* NOTE 24X36 FRAME MADE WITH 16GA (.060) MAT'L

