

DESCRIPTION

The Access panel consists of an aluminum frame which virtually disappears once installed in the wall.

Equipped with concealed mechanical touch-latches, the round access door is available with 1/2" (12.7 mm) or 5/8" (15.9 mm) drywall and blends seamlessly into the surrounding wall or ceiling and just a small reveal of 1/16" (1.59 mm) is visible between the outer frame and door hatch.

The door is fully removable and offers a very functional yet aesthetically pleasing solution.

FEATURES

- Screwdriver operated cam latch
- Screwdriver operated four-square cam latch
- Round Cylinder Lock with Key
- Hex Head Cam Latch
- Pinned Hex Head Cam Latch

ADVANTAGE

- Superior engineering & innovative design
- Quick and Easy installation
- Solid aluminum frame
- For installation in ceilings and walls

For a complete list of options visit www.CaliforniaAccessDoors.com

SKU: **CAD-FSR**

DRYWALL INLAY ACCESS PANEL - ROUND

WITH CONCEALED FRAME



DIMENSIONS AND APPEARANCE

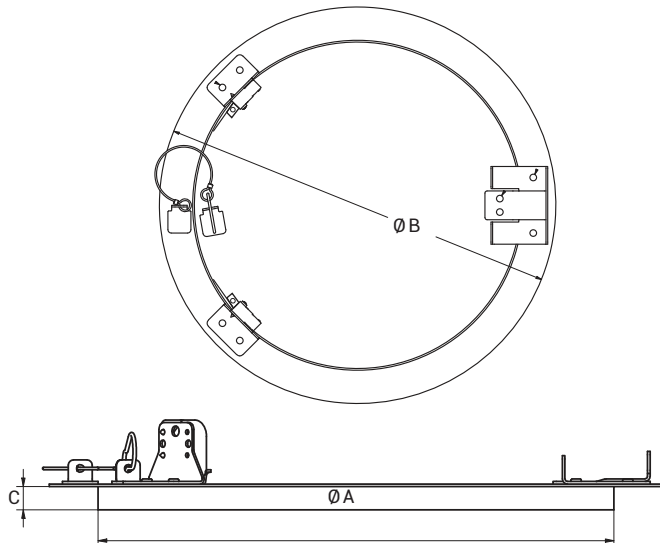
>> CLICK TO VIEW ADDITIONAL DETAILS AND PRICING <<

AVAILABLE IN THE FOLLOWING STANDARD SIZES:

System FSR CODE	Dimension			
	A		B	
	inch	mm	inch	mm
R200G127	8"	203	10"	260
R300G127	12"	305	14"	360
R400G127	16"	406	18"	457
R500G127	20"	508	22"	560
R600G127	24"	610	26"	660

* Rough opening is door size +3/8" (9mm)



All standard sizes are available in 1/2" (12.7 mm) or 5/8" (15.9 mm) drywall.



PROJECT DATA

Custom Sizes Available - Fast!

PROJECT NAME :	QTY	W	H	OPTIONS
ARCHITECT :				
DEALER :				
CONTRACTOR :				
LOCATION :	SPECIAL INSTRUCTIONS :			
DATE :	SUBMITTAL APPROVAL : (signature or stamp)			
TAGGING INSTRUCTIONS :				

Scan  or  Click



To view Pricing and Additional Product Info.

TELEPHONE:
1-800-656-1095
FAX:
1-888-828-6021



PO BOX 7775 PMB
76520, SAN FRANCISCO,
CALIFORNIA 94120-7775
US



WEBSITE:
www.CaliforniaAccessDoors.com
E-MAIL:
info@CaliforniaAccessDoors.com