

SUBMITTAL/TECHNICAL DATA SHEET



APPLICATION

For drywall, walls and ceilings with galvanized steel drywall taping bead flange. For when temperature rise or heat transmission is a factor.

FEATURES

- Insulated door panel
- Concealed hinge
- Self-closing
- Self-Latching
- Inside latch release
- Drywall taping bead flange

SPECIFICATIONS

MATERIAL: Steel or Stainless Steel

DOOR: 20 gauge, filled with 2" thick fire rated insulation,

MOUNTING FRAME: 16 gauge, flange to be drywall taping bead flange

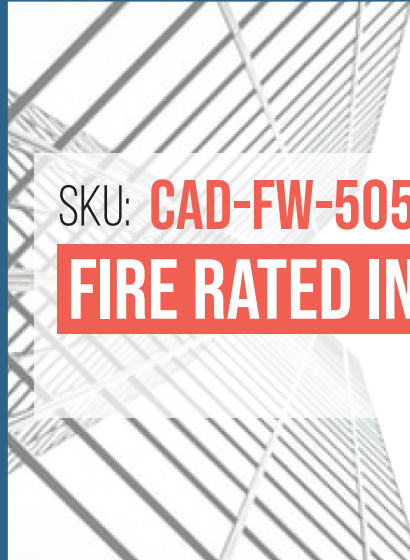
HINGE: Concealed

FIRE RATING: (Walls): UL – 1-1/2 hour "B" label. ULC – 2 hour "B" label. Max size: 36 x 48. (Ceilings):

Warnock Hersey International 3 hour rated in a non-combustible ceiling. 1 hour rated in a combustible ceiling. Max size: 24 x 36

STANDARD LATCH: Universal self-latching bolt, operated by either a knurled knob or flush key. Doors can be prepared for mortise cylinder locks (Master Keying).

FINISH: Steel: 5 stage iron phosphate preparation with prime coat of white baked-on enamel. Stainless Steel: #4 satin polish



SKU: **CAD-FW-5050-DW**

FIRE RATED INSULATED

FOR DRYWALL



DIMENSIONS AND APPEARANCE

>> CLICK TO VIEW ADDITIONAL DETAILS AND PRICING <<

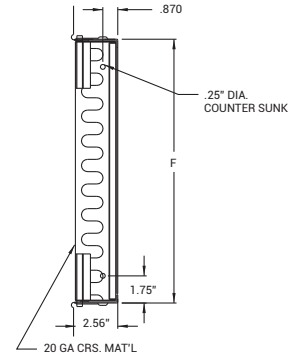
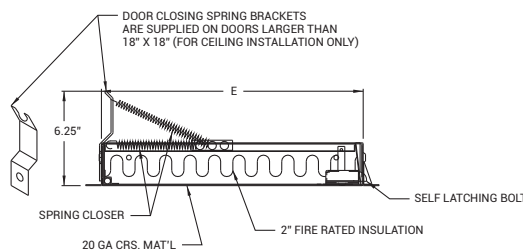
STANDARD SIZES:

| DOOR SIZE W x H INCHES (MM) | LATCHES | WEIGHT | |
|--------------------------------|---------|--------|------|
| | | LBS | KG |
| 8 x 8 (203 x 203) | 1 | 8 | 3.6 |
| 10 x 10 (254 x 254) | 1 | 9 | 4.1 |
| 12 x 12 (305 x 305) | 1 | 10 | 4.8 |
| 14 x 14 (356 x 356) | 1 | 12 | 5.4 |
| 16 x 16 (406 x 406) | 1 | 15 | 6.8 |
| 18 x 18 (457 x 457) | 1 | 20 | 9.1 |
| 22 x 30 (559 x 762) | 2 | 32.5 | 14.5 |
| 22 x 36 (559 x 914) | 2 | 35 | 15.9 |
| 24 x 24 (610 x 610) | 1 | 28 | 12.7 |
| 24 x 36 (610 x 914) | 2 | 38 | 18.1 |
| *24 x 48 (610 x 1219) | 2 | 48 | 21.3 |
| *30 x 30 (762 x 762) | 2 | 38 | 18.1 |
| 36 x 36 (914 x 914) | 2 | 54 | 24.5 |
| *36 x 48 (914 x 1220) | 2 | 76 | 34.4 |

* Non-Rated for Ceilings

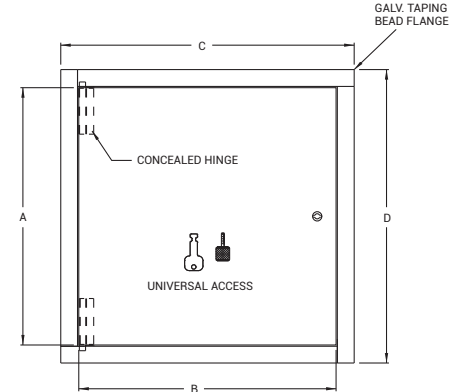
Wall opening is W + 3/8" (9 mm)

For detailed specifications see submittal sheet



FOR WALLS THIS DOOR HAS A "UL" AND "ULC", 1 1/2 HOUR "B" LABEL, WITH A MAXIMUM TEMPERATURE OF 250 DEGREES AFTER 30 MINUTES.

FOR FIRE RATED CEILINGS, THIS DOOR HAS BEEN APPROVED BY WARNOCK HERSEY INTERNATIONAL FOR 3 HOURS (MAX. SIZE 24" x 36").



For a complete list of options visit www.CaliforniaAccessDoors.com

PROJECT DATA

Custom Sizes Available - Fast!

Scan or Click



To view Pricing and Additional Product Info.

| | | | | |
|------------------------|--|---|---|---------|
| PROJECT NAME : | QTY | W | H | OPTIONS |
| ARCHITECT : | | | | |
| DEALER : | | | | |
| CONTRACTOR : | | | | |
| LOCATION : | SPECIAL INSTRUCTIONS : | | | |
| DATE : | | | | |
| TAGGING INSTRUCTIONS : | SUBMITTAL APPROVAL : (signature or stamp) | | | |

TELEPHONE:
1-800-656-1095

FAX:
1-888-828-6021



PO BOX 7775 PMB
76520, SAN FRANCISCO,
CALIFORNIA 94120-7775
US



WEBSITE:
www.CaliforniaAccessDoors.com

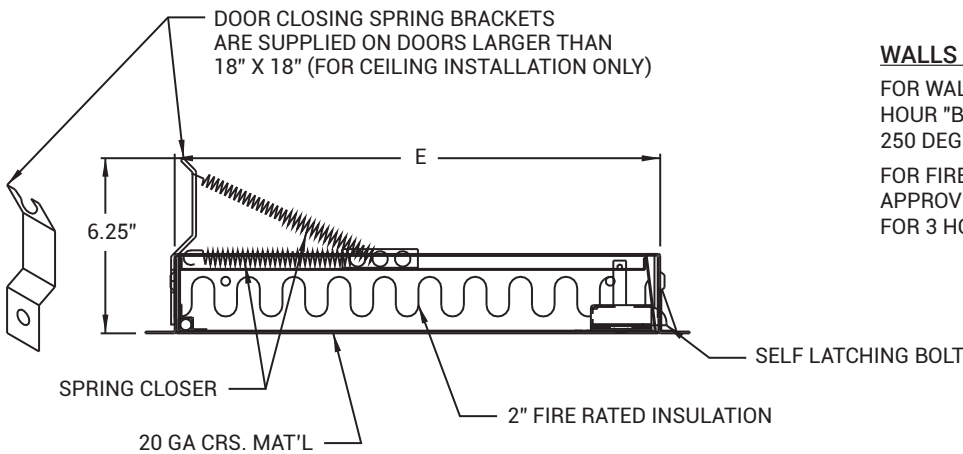
E-MAIL:
info@CaliforniaAccessDoors.com



CAD-FW-5050-DW

FIRE RATED DOOR

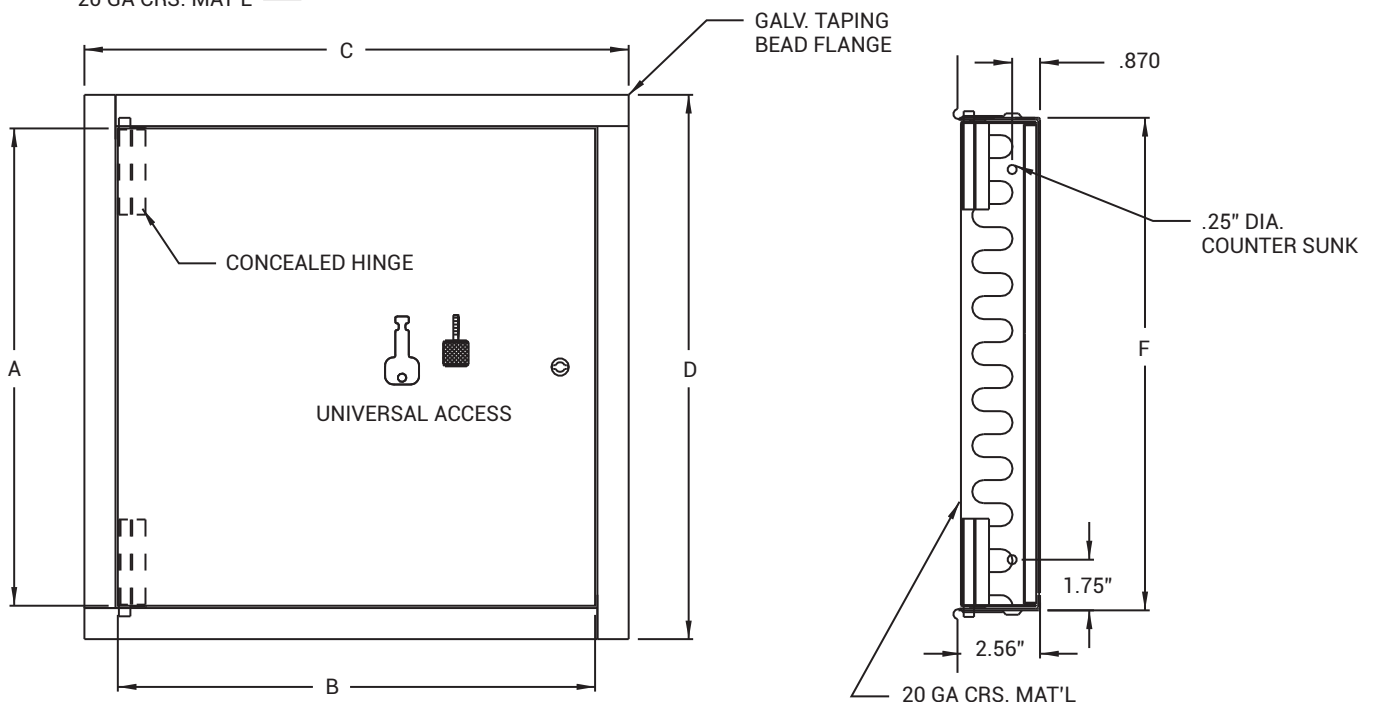
| NOMINAL DOOR SIZE | A | B | C | D | E | F | LOCK |
|---------------------|-------------|-------------|-------------|-------------|-------------|-------------|------|
| Inches (mm) | | | | | | | |
| 8 x 8 (203 x 203) | 7.78 (198) | 7.78 (198) | 10.62 (270) | 10.62 (270) | 8.12 (206) | 8.12 (206) | 1 |
| 10 x 10 (254 x 254) | 9.78 (248) | 9.78 (248) | 12.62 (321) | 12.62 (321) | 10.12 (257) | 10.12 (257) | 1 |
| 12 x 12 (305 x 305) | 11.78 (299) | 11.78 (299) | 14.62 (371) | 14.62 (371) | 12.12 (308) | 12.12 (308) | 1 |
| 14 x 14 (456 x 456) | 13.78 (350) | 13.78 (350) | 16.62 (422) | 16.62 (422) | 14.12 (359) | 14.12 (359) | 1 |
| 16 x 16 (406 x 406) | 15.78 (401) | 15.78 (401) | 18.62 (473) | 18.62 (473) | 16.12 (409) | 16.12 (409) | 1 |
| 18 x 18 (457 x 457) | 17.78 (452) | 17.78 (452) | 20.62 (524) | 20.62 (524) | 18.12 (460) | 18.12 (460) | 1 |
| 24 x 24 (610 x 610) | 23.78 (604) | 23.78 (604) | 26.62 (676) | 26.62 (676) | 24.12 (613) | 24.12 (613) | 1 |



WALLS AND CEILINGS

FOR WALLS THIS DOOR HAS A "UL" AND "ULC", 1 1/2 HOUR "B" LABEL, WITH A MAXIMUM TEMPERATURE OF 250 DEGREES AFTER 30 MINUTES.

FOR FIRE RATED CEILINGS, THIS DOOR HAS BEEN APPROVED BY WARNOCK HERSEY INTERNATIONAL FOR 3 HOURS (MAX. SIZE 24" x 36")

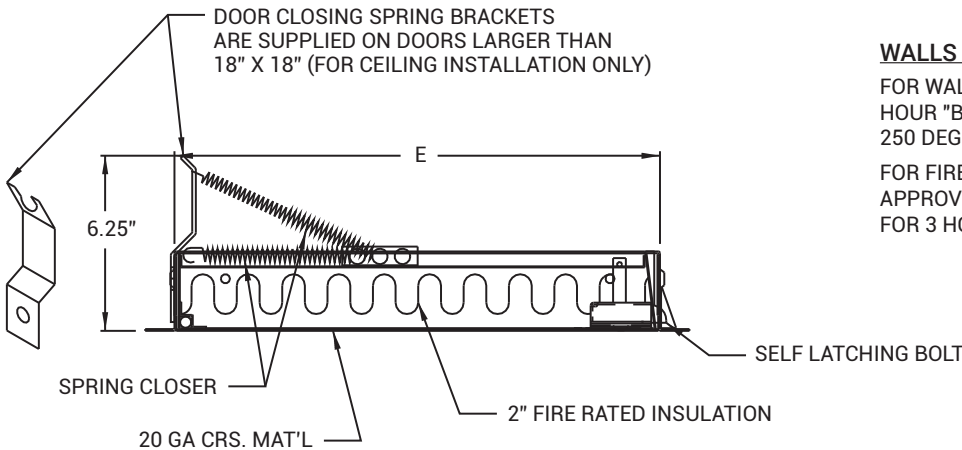




CAD-FW-5050-DW

FIRE RATED DOOR

| NOMINAL DOOR SIZE | A | B | C | D | E | F | LOCK |
|----------------------|--------------|-------------|-------------|--------------|-------------|--------------|------|
| Inches (mm) | | | | | | | |
| 22 x 30 (559 x 762) | 29.78 (756) | 21.78 (553) | 24.62 (625) | 32.62 (829) | 22.12 (562) | 30.12 (765) | 2 |
| 22 x 36 (559 x 914) | 35.78 (909) | 21.78 (553) | 24.62 (625) | 38.62 (981) | 22.12 (562) | 36.12 (917) | 2 |
| 24 x 36 (610 x 914) | 35.78 (909) | 23.78 (604) | 26.62 (676) | 38.62 (981) | 24.12 (613) | 36.12 (917) | 2 |
| 24 x 48 (610 x 1219) | 47.78 (1214) | 23.78 (604) | 26.62 (676) | 50.62 (1286) | 24.12 (613) | 48.12 (1222) | 2 |
| 30 x 30 (762 x 762) | 29.78 (756) | 29.78 (756) | 32.62 (829) | 32.62 (829) | 30.12 (765) | 30.12 (765) | 2 |
| 36 x 36 (914 x 914) | 35.78 (909) | 35.78 (909) | 38.62 (981) | 38.62 (981) | 36.12 (917) | 36.12 (917) | 2 |
| 36 x 48 (914 x 1220) | 47.78 (1214) | 35.78 (909) | 38.62 (981) | 50.62 (1286) | 36.12 (917) | 48.12 (1222) | 2 |



WALLS AND CEILINGS

FOR WALLS THIS DOOR HAS A "UL" AND "ULC", 1 1/2 HOUR "B" LABEL, WITH A MAXIMUM TEMPERATURE OF 250 DEGREES AFTER 30 MINUTES.

FOR FIRE RATED CEILINGS, THIS DOOR HAS BEEN APPROVED BY WARNOCK HERSEY INTERNATIONAL FOR 3 HOURS (MAX. SIZE 24" x 36")

