

SUBMITTAL/TECHNICAL DATA SHEET

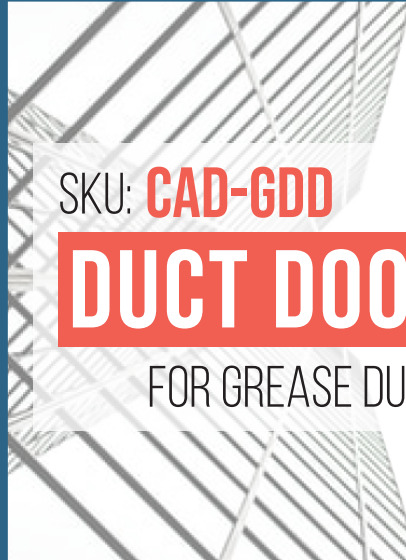


APPLICATION

- Access door for installation into grease ducts
- This door meets or exceeds requirements of all mechanical codes

FEATURES

- Bolt in unit easily installed into existing ductwork
- Duct cutout template included
- No bolts penetrate to the interior of the duct
- Two handles for easy removal and installation



SKU: **CAD-GDD**
DUCT DOOR
 FOR GREASE DUCTS

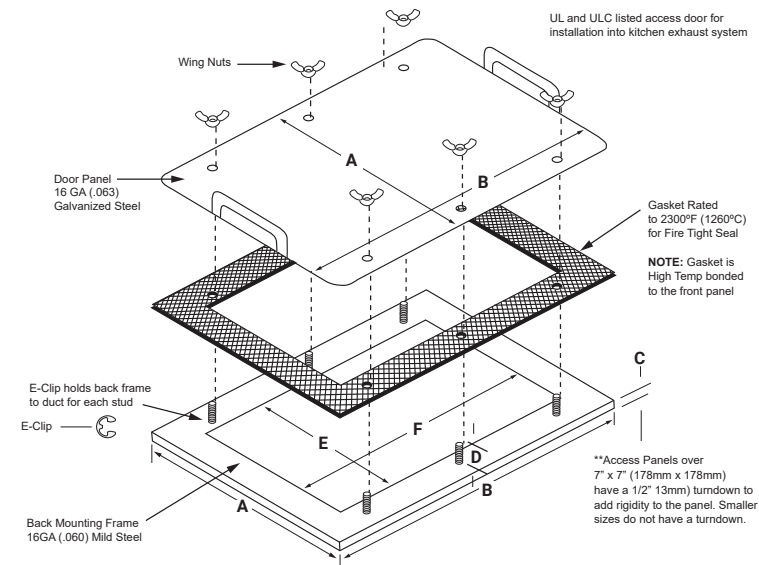


DIMENSIONS AND APPEARANCE

>> CLICK TO VIEW ADDITIONAL DETAILS AND PRICING <<

| MODEL NO. | PANEL OUTSIDE DIMENSION | | PANEL HEIGHT | STUD HEIGHT | HOLE SIZE Inches (mm) | | MTG STUDS (NUTS) |
|-----------|-------------------------|-------------|--------------|-------------|-----------------------|-------------|------------------|
| | A | B | C | D | E | F | |
| FGGD0712 | 10" (254mm) | 15" (381mm) | .5" (13mm) | 1" (25mm) | 7" (178mm) | 12" (305mm) | 6 |
| FGGD720 | 10" (254mm) | 23" (584mm) | .5" (13mm) | 1" (25mm) | 7" (178mm) | 20" (508mm) | 10 |
| FGGD1212 | 15" (381mm) | 15" (381mm) | .5" (13mm) | 1" (25mm) | 12" (305mm) | 12" (305mm) | 8 |
| FGGD1220 | 15" (381mm) | 23" (584mm) | .5" (13mm) | 1" (25mm) | 12" (305mm) | 20" (508mm) | 14 |
| FGGD1620 | 19" (483mm) | 23" (584mm) | .5" (13mm) | 1" (25mm) | 16" (406mm) | 20" (508mm) | 16 |
| FGGD2020 | 23" (584mm) | 23" (584mm) | .5" (13mm) | 1" (25mm) | 20" (508mm) | 20" (508mm) | 16 |

For detailed specifications see submittal sheet



For a complete list of options visit www.CaliforniaAccessDoors.com

PROJECT DATA

Custom Sizes Available - Fast!

Scan or Click



To view Pricing and Additional Product Info.

| | | | | |
|------------------------|---|---|---|---------|
| PROJECT NAME : | QTY | W | H | OPTIONS |
| ARCHITECT : | | | | |
| DEALER : | | | | |
| CONTRACTOR : | | | | |
| LOCATION : | SPECIAL INSTRUCTIONS : | | | |
| DATE : | | | | |
| TAGGING INSTRUCTIONS : | SUBMITTAL APPROVAL : (signature or stamp) | | | |

TELEPHONE:
1-800-656-1095
FAX:
1-888-828-6021



PO BOX 7775 PMB
76520, SAN FRANCISCO,
CALIFORNIA 94120-7775
US



WEBSITE:
www.CaliforniaAccessDoors.com
E-MAIL:
info@CaliforniaAccessDoors.com



CAD-GDD

GREASE DUCT ACCESS DOOR

| MODEL NO. | PANEL OUTSIDE DIMENSION | | PANEL HEIGHT | STUD HEIGHT | HOLE SIZE Inches (mm) | | MTG STUDS (NUTS) |
|-----------|-------------------------|-------------|--------------|-------------|-----------------------|-------------|------------------|
| | A | B | C | D | E | F | |
| FGGD0712 | 10" (254mm) | 15" (381mm) | .5" (13mm) | 1" (25mm) | 7" (178mm) | 12" (305mm) | 6 |
| FGGD720 | 10" (254mm) | 23" (584mm) | .5" (13mm) | 1" (25mm) | 7" (178mm) | 20" (508mm) | 10 |
| FGGD1212 | 15" (381mm) | 15" (381mm) | .5" (13mm) | 1" (25mm) | 12" (305mm) | 12" (305mm) | 8 |
| FGGD1220 | 15" (381mm) | 23" (584mm) | .5" (13mm) | 1" (25mm) | 12" (305mm) | 20" (508mm) | 14 |
| FGGD1620 | 19" (483mm) | 23" (584mm) | .5" (13mm) | 1" (25mm) | 16" (406mm) | 20" (508mm) | 16 |
| FGGD2020 | 23" (584mm) | 23" (584mm) | .5" (13mm) | 1" (25mm) | 20" (508mm) | 20" (508mm) | 16 |

