

AL-9500

SPECIALTY DOORS Anti Ligature Access Door

Application

- Designed for Anti-Ligature Installation
- Designed to provide a fully gasketed fit in all types of walls and ceilings
- This door is commonly used in prisons, correctional facilities, psychiatric Hospitals, etc.

Product Features

- Fully gasketed access door
- Formed door panel with reinforced edges and a concealed hinge, along with closed cell gasket between the door and frame
- Fully welded frame flange, radiused corners

AL-9500 Access Door Specifications:

Door / Door Frame: Stainless Steel or Steel: 14 gauge door, 14 gauge mounting frame, flange to be 1" wide

Hinge: Concealed

Gasket: Pemko S88 adhesive-backed bulb silicone gasket

Standard Latch: Tamper-proof spanner head cam latch

Optional Latches/Locks: Torx head, Torx Head w/ Security Pin, Cylinder Lock, Mortise Lock

Finish: Stainless steel: #4 satin polish. Steel: 5 stage iron phosphate with prime coat of White alkyd baked-on enamel

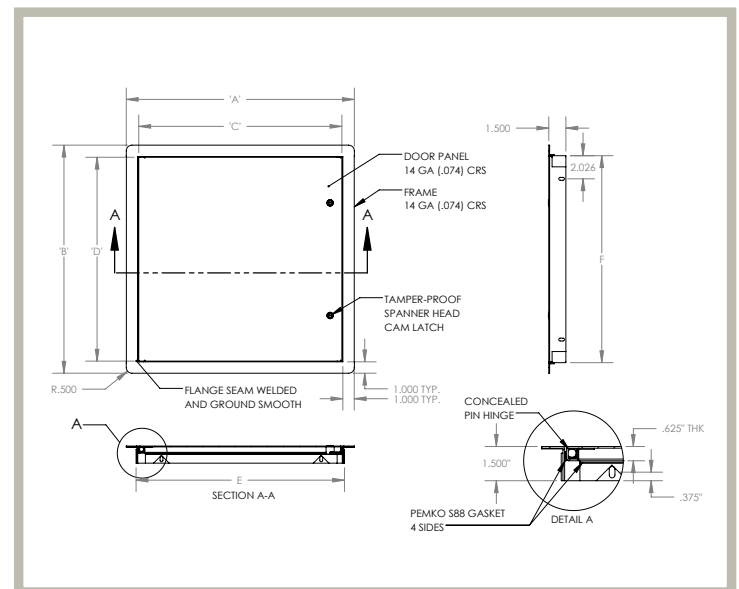


AL-9500 STANDARD SIZES

(other sizes available upon request)

Nominal Door Size W&H		Weight per Door	
Inches	mm	lbs.	kg.
12 X 12	305 X 305	6	2.7
16 X 16	406 X 406	10	4.5
18 X 18	457 X 457	11.5	5.1
24 X 24	609 X 609	19	8.4
24 X 36	609 X 914	28	12.4

Wall or ceiling opening is nominal door size + 3/8" (9 mm)
For detailed specifications see submittal sheet



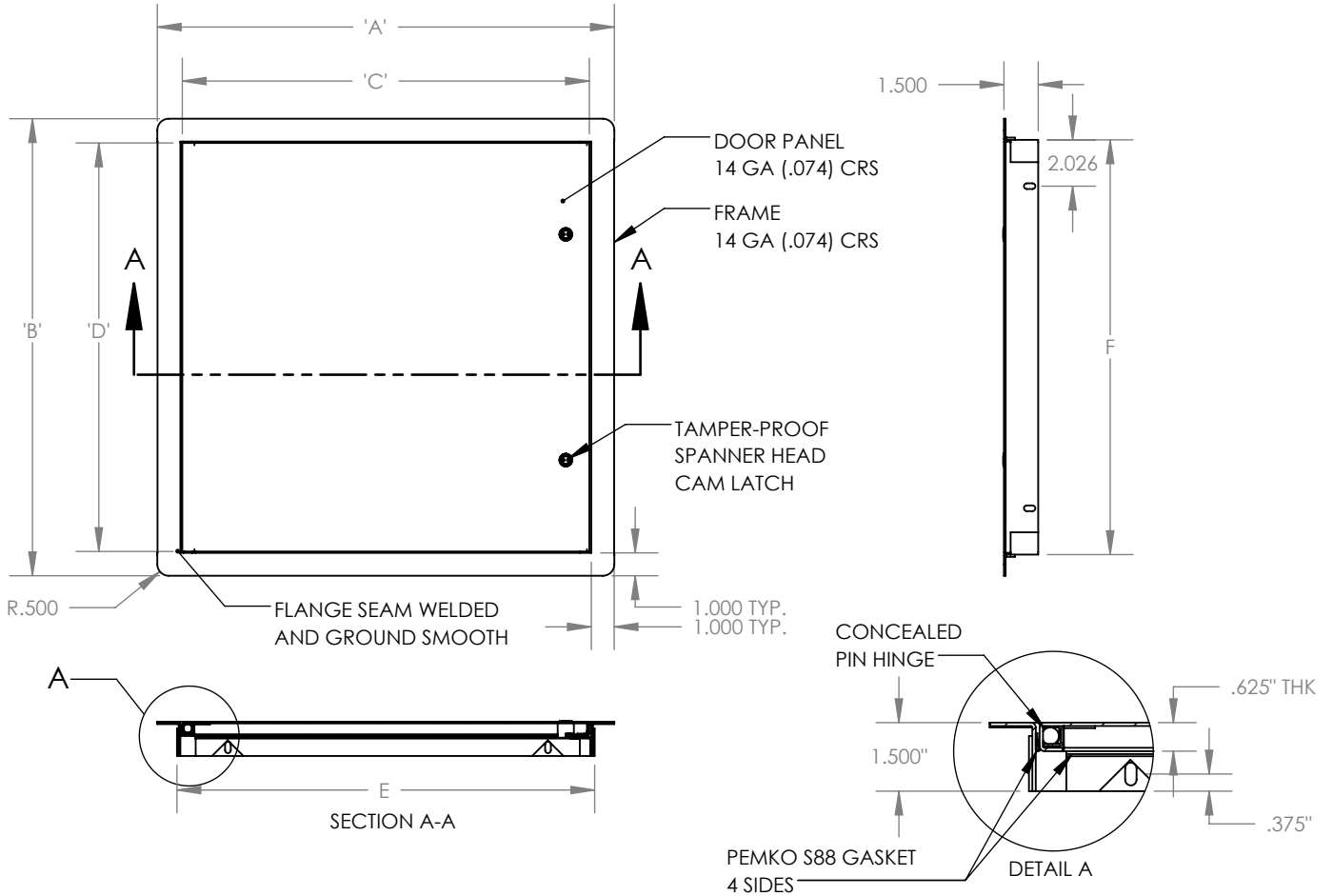


Phone: 1-800-609-2917
 Fax: 1-888-626-2907
 Email: info@accessdoorsandpanels.com
 www.AccessDoorsAndPanels.com

AL-9500

ANTI-LIGATURE ACCESS DOOR

QTY:	NOMINAL SIZE	A	B	C	D	E	F	LOCK QTY
	12 X 12 (305 X 305)	14.000 (355)	14.000 (355)	11.812 (300)	11.876 (301)	12.279 (312)	12.148 (309)	1
	16 X 16 (406 X 406)	18.000 (457)	18.000 (457)	15.812 (401)	15.876 (403)	16.279 (413)	16.148 (410)	2
	18 X 18 (457 X 457)	20.000 (508)	20.000 (508)	17.812 (452)	17.876 (454)	18.279 (464)	18.148 (461)	2
	24 X 24 (609 X 608)	26.000 (660)	26.000 (660)	23.812 (604)	23.876 (606)	24.279 (617)	24.148 (613)	2
	24 X 36 (609 X 914)	26.000 (660)	38.000 (965)	23.812 (604)	37.876 (911)	24.279 (617)	36.148 (918)	2



STANDARD FEATURES: FULLY GASKETED
 SPANNER HEAD CAM LATCH
 PRIME COAT WHITE ALKYD BAKED-ON ENAMEL

OPTIONS:

LOCK TYPE:

TORX HEAD CAM LATCH

MATERIAL:

STAINLESS STEEL
 OTHER

FINISH:

OTHER

JOB NAME:

APPROVED BY:

CUSTOMER:

DATE: