

# SUBMITTAL: EXTERIOR ACCESS PANEL XPA™ and XPS™ SERIES



## STEP 1 SELECT MODEL:

### Model XPA - R value 5.7

Frame: 16 ga. galvanized steel.

Door: 2" Thick insulated .040 aluminum door with continuous stainless hinge. R value 5.7

Gaskets: Adhesive backed EPDM foam and silicone rubber seals on frame and door.

Finish: White powder coat paint.

Handle: (H2) Non-locking, plastic with chrome finish.



XPA



XPS

### Model XPS Stainless steel - R value 5.7

Frame: 16 ga. Stainless steel.

Door: 2" Thick insulated 20 ga. Stainless steel door with continuous stainless hinge.

Gaskets: Adhesive backed EPDM foam and silicone rubber seals on frame and door.

Finish: 304 Stainless - No. 4 finish

Handles: (H2) Non-locking, plastic with chrome finish.

## STEP 2 SELECT SIZE FROM TABLE BELOW OR ENTER OTHER SIZE:

Sizes: ORDER SIZE IS FRAME ID. Minimum 8" x 8", maximum size 48" x 48"

Other Size \_\_\_\_\_ W x \_\_\_\_\_ H

## STEP 3 SELECT OPTIONAL FEATURES AT ADDITIONAL COST:

\_\_\_\_\_ (H3) Locking, plastic with chrome finish

\_\_\_\_\_ (H4) Removable flush locking handle

\_\_\_\_\_ Rainhood (-R)

\_\_\_\_\_ Optional Color Code - See colors below

Order Format Example: XPA-1212H2W

**XP** \_\_\_\_\_ - \_\_\_\_\_ - \_\_\_\_\_ - \_\_\_\_\_ - \_\_\_\_\_  
**XPS** Width Height Lock (H2 std) Color Other Options  
   H3 or H4

B-Bronze	R-Red	BK- Black	S-Sand	AMS- AMS Beige	SB- Flat Beige	G- Gray	SI- Silver
----------	-------	-----------	--------	----------------	----------------	---------	------------

QTY	Size (A)	Wall Opening	Handles	Approx Ship Weight in lbs.	QTY	Size (A)	Wall Opening (C)	Handles	Approx Ship Weight in lbs.
	12" x 12"	12-3/8" x 12-3/8"	1	11		24" x 30"	24-3/8" x 30-3/8"	2	40
	14" x 14"	14-3/8" x 14-3/8"	1	15		24" x 36"	24-3/8" x 36-3/8"	2	42
	18" x 18"	18-3/8" x 18-3/8"	1	19		24" x 48"	24-3/8" x 48-3/8"	2	57
	20" x 24"	20-3/8" x 24-3/8"	1	30		30" x 30"	30-3/8" x 30-3/8"	2	44
	20" x 30"	20-3/8" x 30-3/8"	2	32		30" x 36"	30-3/8" x 36-3/8"	2	56
	22" x 30"	22-3/8" x 30-3/8"	2	34		36" x 36"	36-3/8" x 36-3/8"	2	61
	22" x 36"	22-3/8" x 36-3/8"	2	40		36" x 48"	36-3/8" x 48-3/8"	2	75
	24" x 24"	24-3/8" x 24-3/8"	1	27		48" x 48"	48-3/8" x 48-3/8"	2	108

## DOWNLOAD CURRENT SUBMITTAL BEFORE ORDERING



California Access Doors

www.CaliforniaAccessDoors.com | info@CaliforniaAccessDoors.com

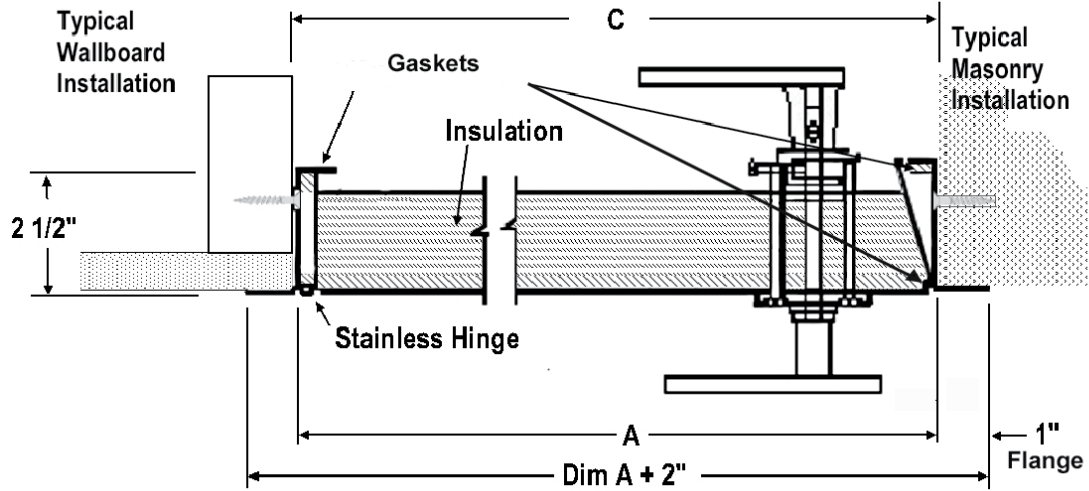
Phone: 1 (800) 656-1095 | Fax: 1-888-828-6021

Distributor:	Quantity:
Contractor:	Approved By:
Model #:	Architect:
Project:	Date:

# SUBMITTAL: EXTERIOR ACCESS PANEL XP™ and XPS™ SERIES



Rainhood



## LATCH AND LOCK OPTIONS



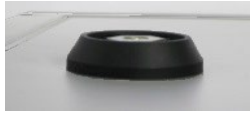
H2 Non-Locking Handle (Standard)



H3 Locking Handle



(H4) Removable Flush Locking Handle



Inside Latch for (H4) Removable Flush Locking Handle